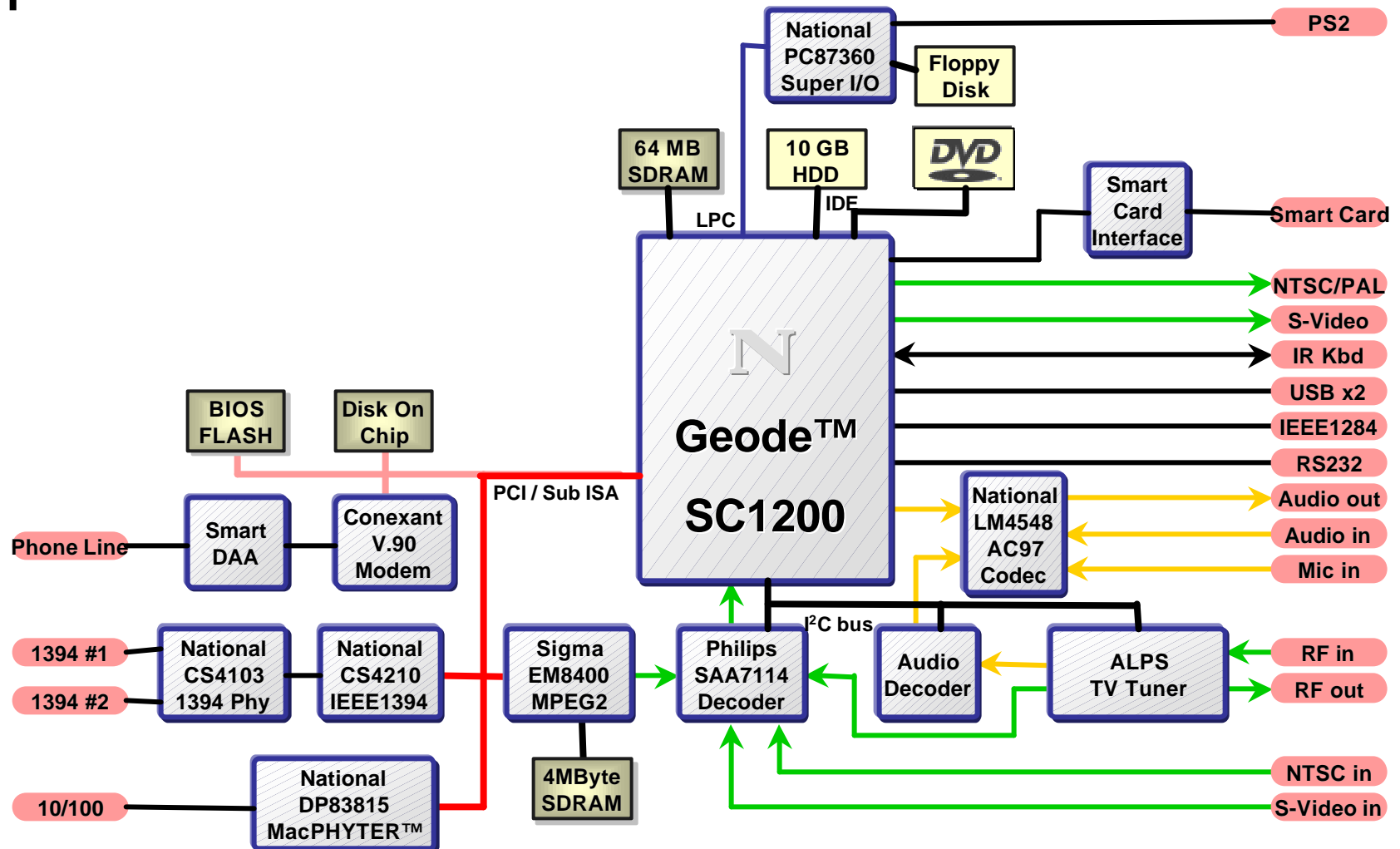


Geode™ SP1SC10 Set-Top Box Reference Platform



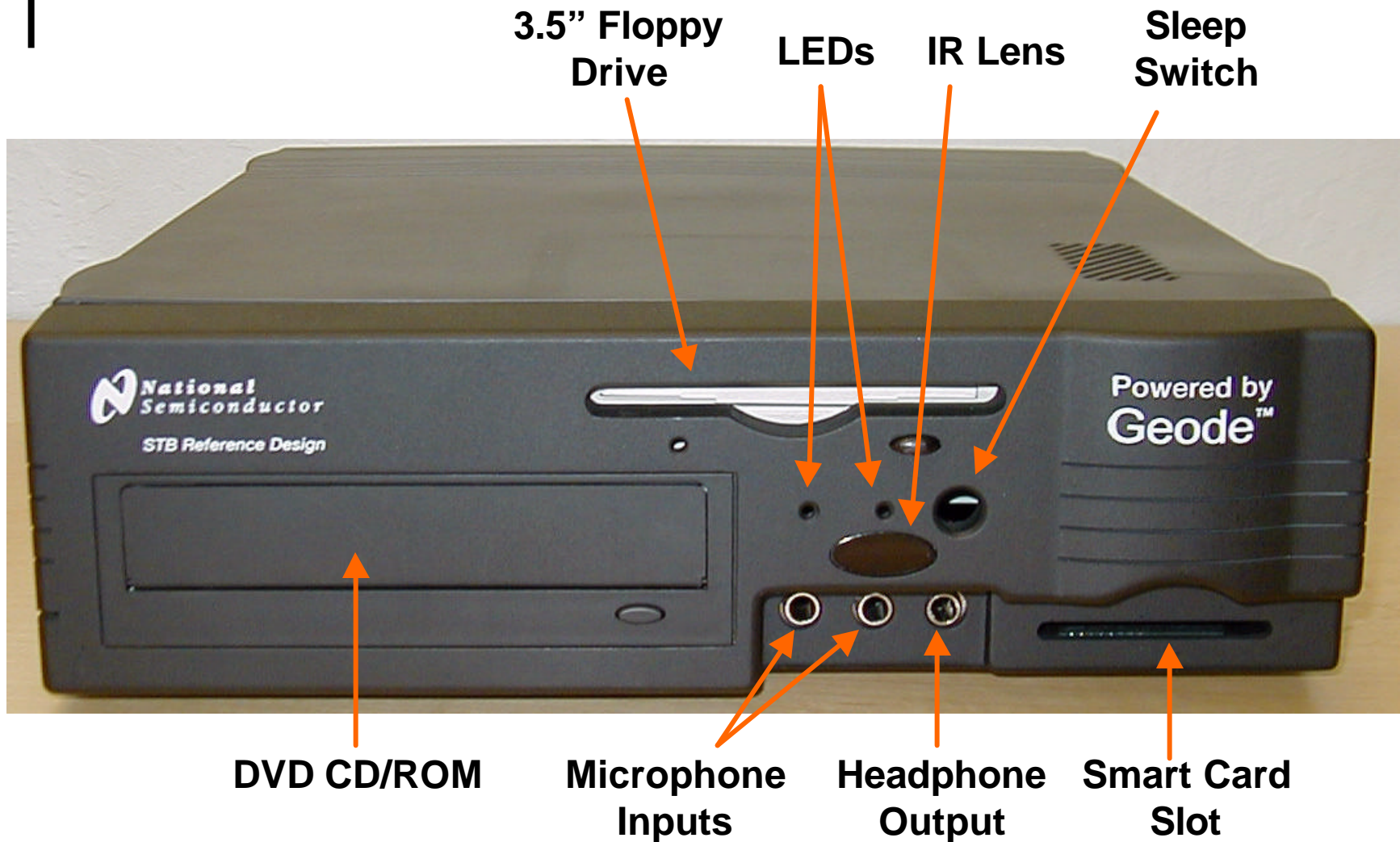
IA N SP1SC10 Platform Architecture



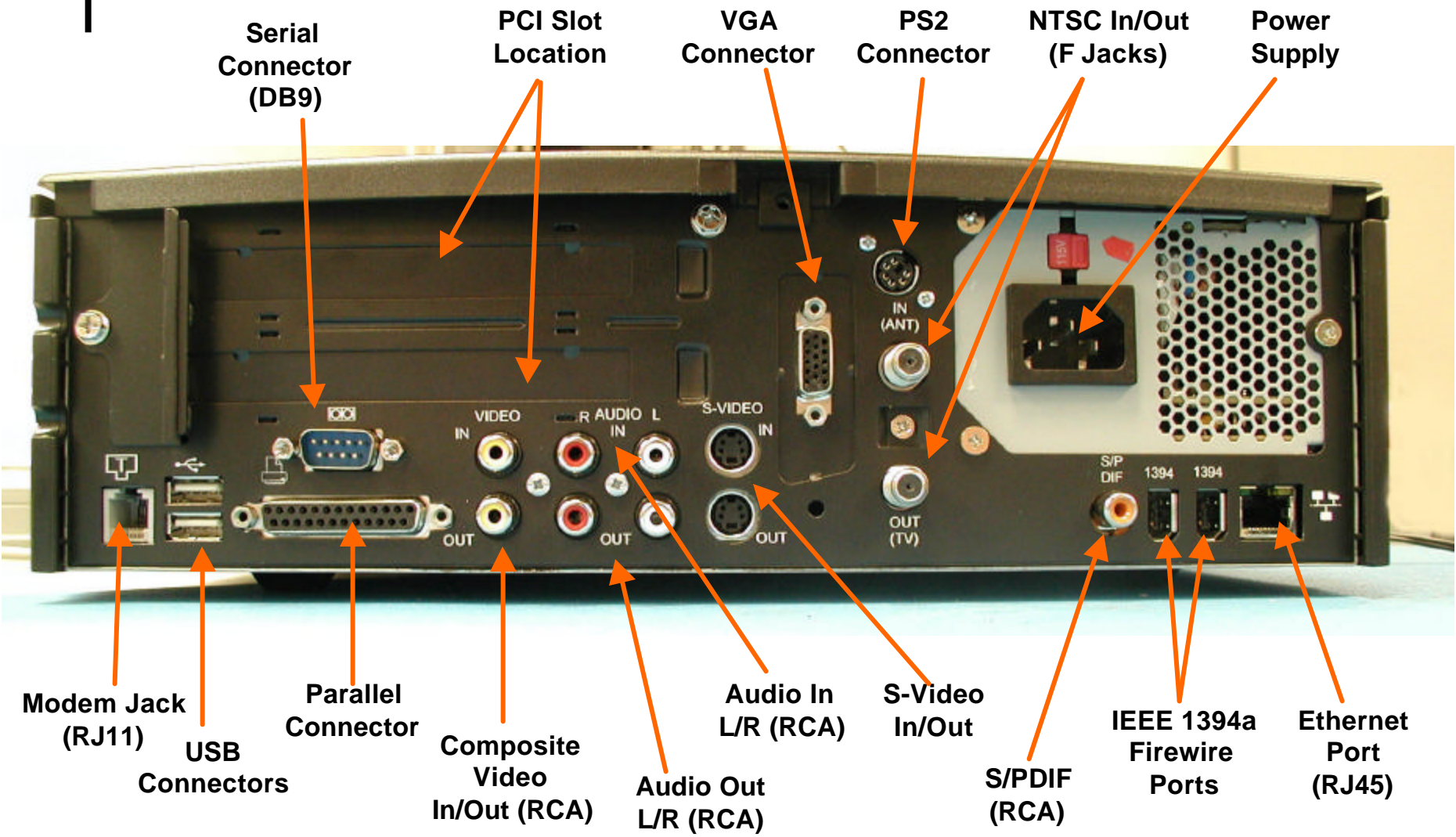
SP1SC10 Inputs and Outputs

- Audio/Video Inputs:
 - NTSC composite video
 - S-Video
 - RF TV antenna
 - Stereo audio
 - 2 microphone inputs
- Audio/Video Outputs:
 - NTSC composite video
 - S-Video
 - RF modulated video
 - Stereo audio
 - S/PDIF audio
 - SCART socket
- Peripheral I/O
 - Parallel printer port
 - 9-pin serial port
 - Two USB ports
 - Two IEEE 1394 ports
 - IR keyboard & remote
 - Optional PS2 keyboard and mouse
 - Smart card reader

SP1SC10 Front I/O Description



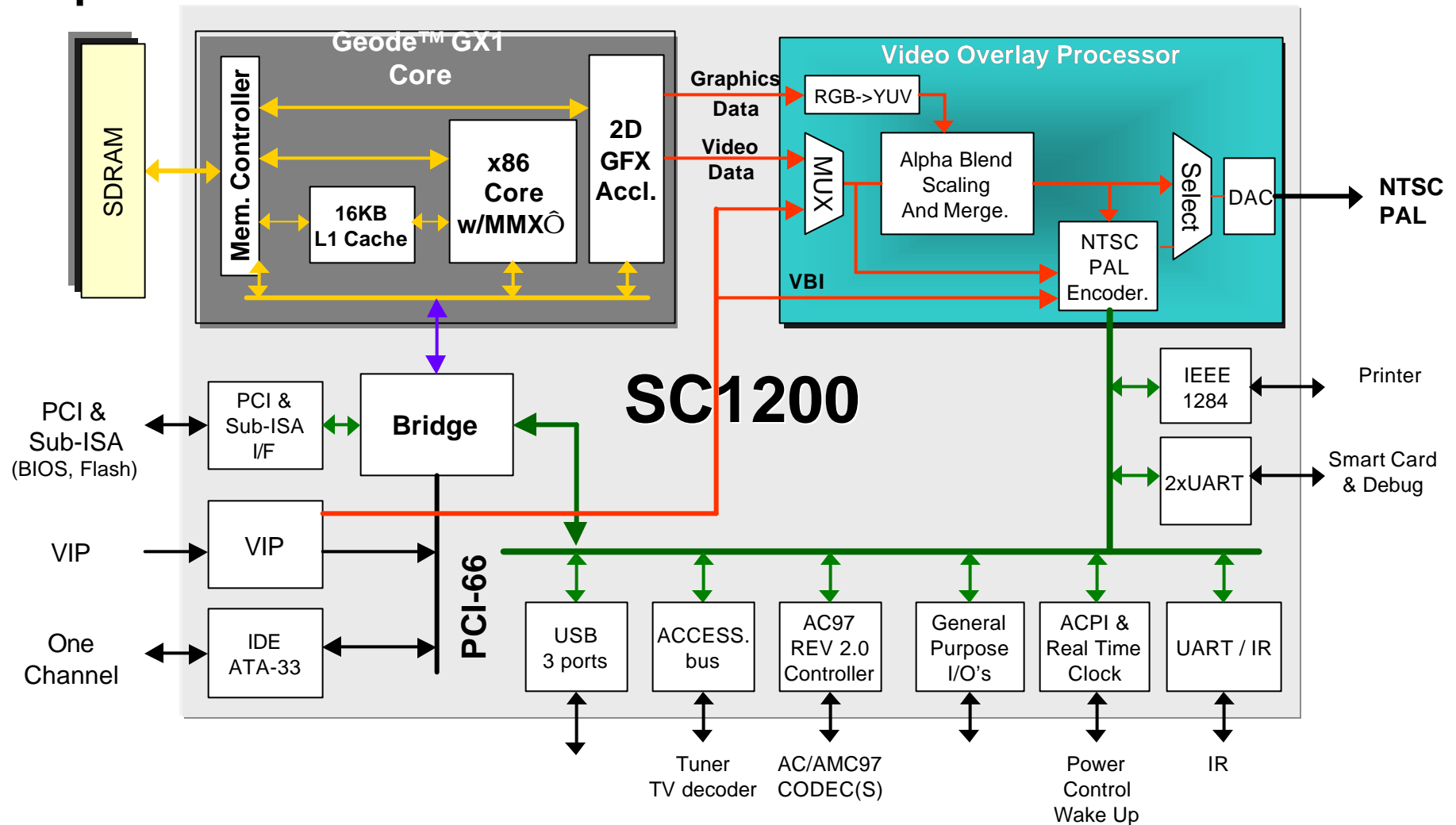
SP1SC10 Rear I/O Description



IA

N

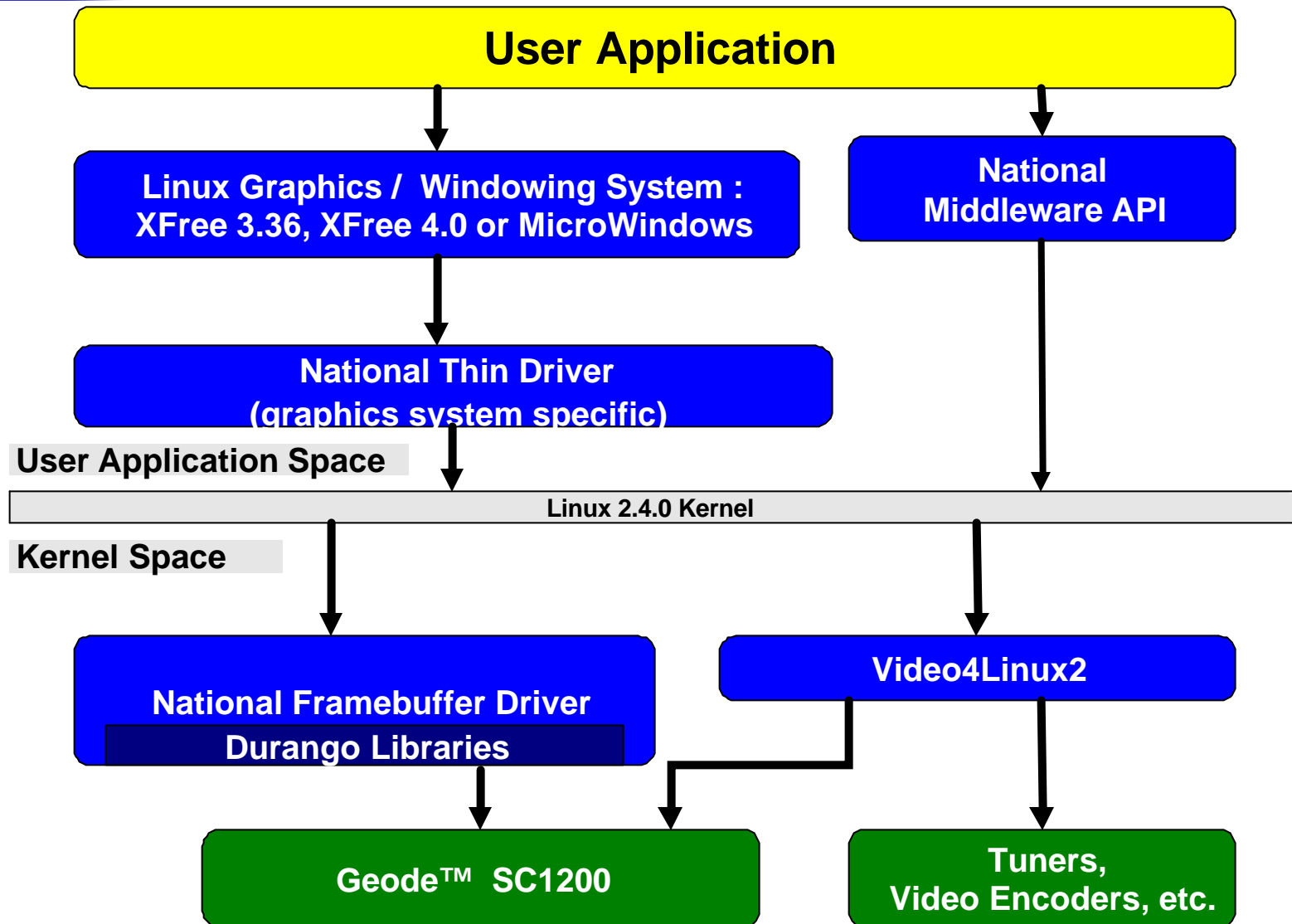
Geode™ SC1200 Architecture



Geode™ SP1SC10 Software Architecture



Linux Graphics Driver Architecture



Video For Linux 2 Driver Architecture

